

# HD-SDI Video over Fiber Optic

## FEATURES

HDSDI input automatic detection

Support the transmission rate of 270Mbit/s to 2.97Gbit/s

Support form 1080P HD-SDI

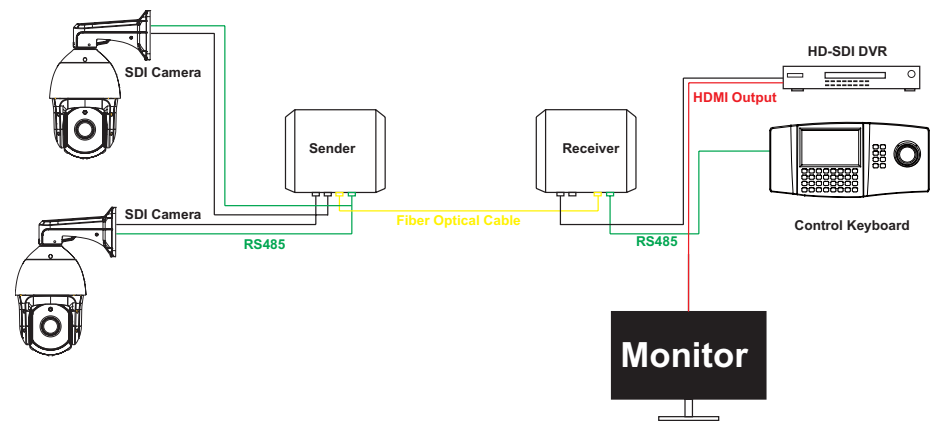
Transmission distance between 0km to 80KM via multimode fiber or single mode fiber is available

Supporting plug and play function

Operation status indicated by LED light.

Signal input achieved by automatic cable equalization,signal output could meet the function of long distance driven.

## CONNECTION DIAGRAM



## TECHNICAL SPECIFICATION

	Model	FO-MDC/HDS-DI-S1	FO-MDC/HDS-DI-S2	FO-MDC/HDS-DI-S4	FO-MDC/HDS-DI-S8	FO-MDC/HDS-DI-S16	FO-MDC/HDS-DI-S32
Optical	Fiber Type	Single-mode fiber (9/125um)					
	Fiber Connector	FC					
	Distance	20KM (Single-mode fiber)					
	Wavelength	Transmitter:T1310nm, R1550nm. Receiver:T1550nm,R1310nm.					
	Fiber Power	-10 ~ -5dBm					
	Rx Sensitivity	-34dBm					
	Audio	Optional					
Video	Video Interface Number	1 channel	2 channel	4 channel	8 channel	16 channel	32 channel
	Physical Interface	BNC SD/HD/3G-SDI					
	Tx Input level	800mVp-p ±10%					
	Rx Output level	800mVp-p ±10%					
	Input/Output Impedance	75 Ω					
Data	Interface Signal	RS485					
	Baud Rate	0-400Kbps					
	BER	< 10 <sup>-9</sup>					
	Operation Mode	Full duplex / half duplex					
Environmental	Operation Temperature	0°C ~ 40°C					
	Storage Environment	-20°C ~ 60°C					
	Relative Humidity	0-95% ( no condensation)					
	Mean Time Between Failures(MTBF)	≥100 000 hours					
	EPS	DC 5V - 24V					