

# HD Video over Fiber Optic

## FEATURES

Non-compression coding technology

Automatically identify formats of input videos

Support transmission of AHD signal and controlling data simultaneously through fiber optic cable

DC 5V power supply

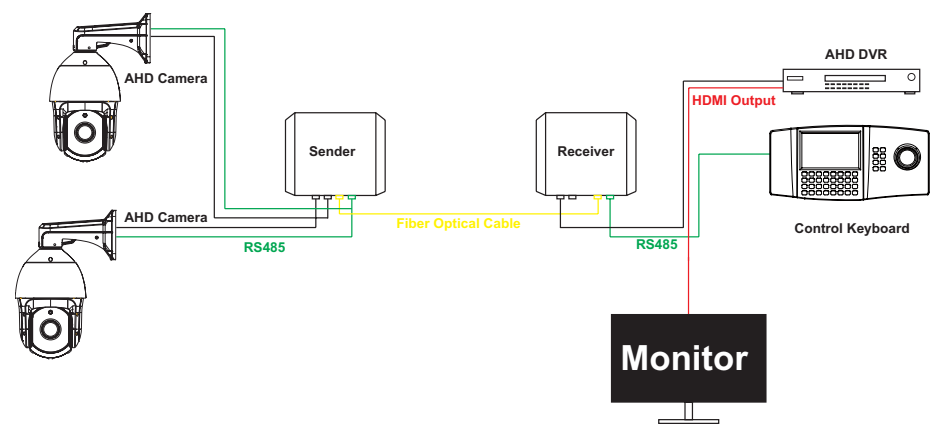
Support 720p/25, 720p/30, 720p/50, 720p/60, 1080p/25, 1080p/30 videos etc

Through LED indicators to inform its functional mode

Industrial wide range of operational temperature

Plug and play, simple installation

## CONNECTION DIAGRAM



## TECHNICAL SPECIFICATION

Models	FO-MDC/AHD-S1V1D	FO-MDC/AHD-S2V1D	FO-MDC/AHD-S4V1D	FO-MDC/AHD-S8V1D	FO-MDC/AHD-S16V1D	FO-MDC/AHD-S32V1D
<b>Optical</b>	Fiber Type	Single-mode fiber (9/125um)				
	Fiber Connector	FC				
	Distance	20KM (Single-mode fiber)				
	Wavelength	Transmitter:T1310nm, R1550nm. Receiver:T1550nm,R1310nm.				
	Fiber Power	-9 ~ -5dBm				
	Rx Sensitivity	-24dBm				
	<b>Audio</b>	Optional				
Video Interface Number		1 channel	2 channel	4 channel	8 channel	16 channel
<b>Video</b>	Physical Interface	BNC				
	Tx Input level	>500mVp-p				
	Rx Output level	1-1.2Vp-p				
	Input/Output Impedance	75 Ω				
<b>Data</b>	Interface Signal	RS485				
	Baud Rate	0-400Kbps				
	BER	< 10 <sup>-9</sup>				
	Operation Mode	Full duplex / half duplex				
<b>Environmental</b>	Operationl Temperature	-30°C ~ 75°C				
	Storage Environment	-40°C ~ 85°C				
	Relative Humidity	0-95% ( no condensation)				
	Mean Time Between Failures(MTBF)	≥100 000 hours				
	EPS	DC5V				