

HDMI over Fiber Optic

FEATURES

Full digital, Uncompressed HD optical fiber transmission

Support Full HD 1920x1200@60Hz

The attenuation of optical module SFP low to -3db

1 channel analog audio 3.5mm

Support HDMI 1.3b Protocol

Support KVM

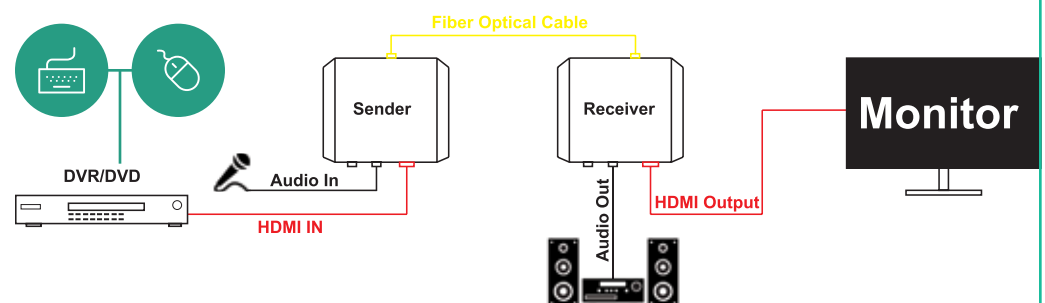
Automatic identification and configure display mode

Automatic equalization inside, stable and clear graphics.

ESD protection circuit inside, to ensure the ESD damage.

Easily to installation, plug and play, no need to set up

CONNECTION DIAGRAM



TECHNICAL SPECIFICATION

Model	FO-MDC/HDMI-S1080P
The signal of Input and output	HDMI
Protocal	HDMI1.3b,HDCP1.2
Pixel band width	165MHz
Video format	Support 1920x1200 and all format below
The signa of Audio input and output	3.5MM Audio
Audio format	44.1K,48K,96K,176K,192K
RS485 port	3 ports industrial terminal
RS485 Baud rate	Support 115200 and all below
RS485 Data bits	8 bits
KVM receiver port	A USB port
KVM transmitter port	B USB port
Fiber port	LC
Fiber module	SFP single mode
Fiber wavelength	1550/1310nm
Fiber band width	3Gbps
The Maximum transmission distance of HDMI and Audio	10KM,20KM,40KM,60KM
Input voltage	DC 12V
Power consumption	HDMI receiver 4W; HDMI transmitter 4W
Device Dimensions	109.5mm x 152mm x 29.3mm
Packing Box Dimensions	328mm x 273mm x 90mm
Weight	1500g
Temperature	-5°C ~ 75°C
Humidity	5% ~ 90% non-condensing