

## SRP SERIES STANDING SERVER RACK

24U, 37U, 42U, AND 48U SIZES

For rigorous data center environments, Morrell designed and engineered SRP Series as the solution for networking centers.



### » FEATURES

#### Ventilation rate

SRP cabinet doors are designed with massive airflow from front to rear up to 78%

#### Loading Capacity

Loading capacity up to 1500kg

#### Packaging Options

Cabinets have knocked-down packaging option to save shipment costs up to 60%.

#### Easy Maintenance

Side panels are designed horizontally to provide easy access and convenient maintenance after installation.

#### Cable Management

Cabinets are designed with large cable access slots for easy cable management.



**A** Perforated front doors provide ventilation up to 78%



**B** Split rear doors lessen clearance requirements for service access.



**C** Cable access slots on top of the cabinets provide access for overhead cable egress. Brush panel is optional for this feature.



**D** Vertical rails of cabinets can be adjusted quarter-inch increments. Numbering system for U positions are provided for faster installation.

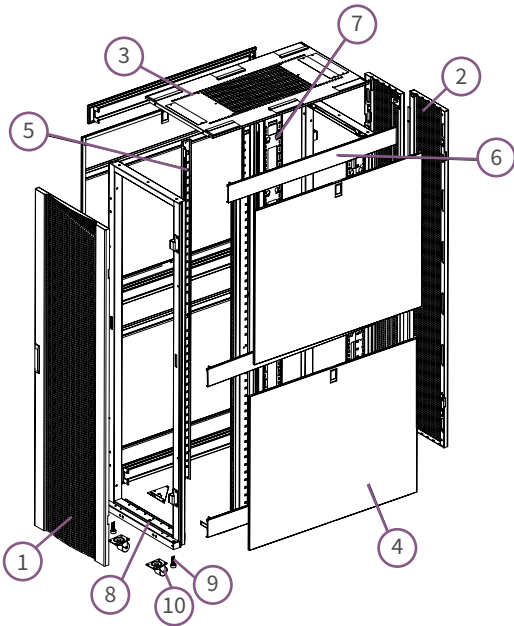


**E** Castors are heavy-duty. Weight capacity is up to 1050kg.



**F** Half-height side panels are design for easier access to equipment and reduces weight.

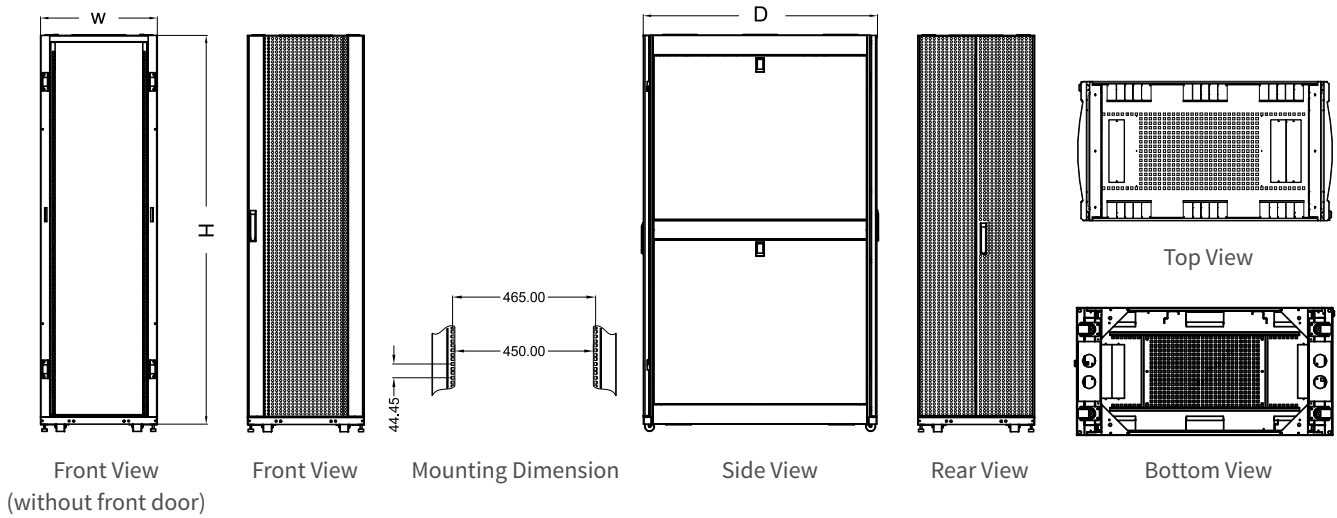
## » COMPONENTS OF SRP SERIES STANDING SERVER RACK



S/N	Name	Quantity (24U)	Quantity (42U/48U)
1	Front vented door with single lock	1	1
2	Rear door	2	2
3	Top cover	1	1
4	Side panel	2	2
5	Vertical rail	4	4
6	Horizontal beam	4	4
7	Cable management rail	2	2
8	Door frame	2	2
9	Levelling feet	4	4
10	2" heavy duty castor(without brake)	4	4

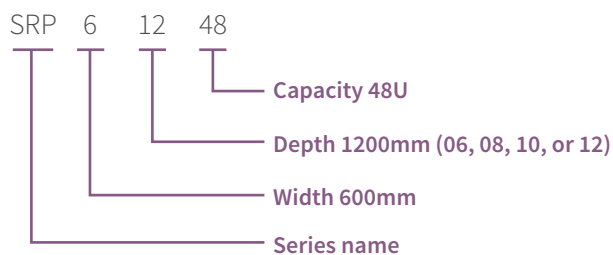
**Remark:** Bottom plate is optional  
3" heavy duty castor is optional

## » MAIN DIMENSION



## » HOW TO DEFINE OUR MODEL

### SRP61248



## » SPECIFICATIONS

Model	Capacity (U)	Dimension W x D x H (mm)	BU Packing Dimension		KD Packing Dimension			
			W*D*H(mm)	Volume (CBM)	Carton A W x D x H(mm)	Carton B W x D x H(mm)	Carton C W x D x H(mm)	Volume (CBM)
FO-REP/SRP60624	24	600 x 600 x 1191	650 x 750 x 1341	0.654	1235 x 245 x 630	1175 x 245 x 165	615 55 x 985	0.28
FO-REP/SRP60824	24	600 x 800 x 1191	650 x 950 x 1341	0.828	1235 x 245 x 630	1175 x 245 x 165	815 x 55 x 985	0.292
FO-REP/SRP61024	24	600 x 1070 x 1191	650 x 1150 x 1341	1.004	1235 x 245 x 630	1175 x 245 x 165	1015 x 55 x 985	0.302
FO-REP/SRP60824	24	800 x 800 x 1191	850 x 950 x 1341	1.083	1235 x 245 x 830	1175 x 275 x 240	815 x 55 x 985	0.372
FO-REP/SRP61037	37	600 x 1070 x 1770	650 x 950 x 1341	1.441	1835 x 245 x 630	1745 x 215 x 165	1015 x 135 x 745	0.447
FO-REP/SRP60837	37	600 x 800 x 1770	650 x 1150 x 1928	1.19	1835 x 245 x 630	1745 x 215 x 165	815 x 135 x 745	0.427
FO-REP/SRP60637	37	600 x 600 x 1770	650 x 950 x 1928	0.939	1835 x 245 x 630	1745 x 215 x 165	615 x 135 x 745	0.407
FO-REP/SRP60642	42	600 x 600 x 1992	650 x 750 x 2150	1.048	2055 x 245 x 630	1965 x 215 x 165	615 x 135 x 855	0.457
FO-REP/SRP60842	42	600 x 800 x 1992	650 x 950 x 2150	1.328	2055 x 245 x 630	1965 x 215 x 165	815 x 135 x 855	0.48
FO-REP/SRP61042	42	600 x 1070 x 1992	650 x 1150 x 2150	1.607	2055 x 245 x 630	1965 x 215 x 165	1015 x 135 x 855	0.503
FO-REP/SRP61242	42	600 x 1200 x 1992	650 x 1350 x 2150	1.887	2055 x 245 x 630	1965 x 215 x 165	1215 x 135 x 855	0.526
FO-REP/SRP80842	42	800 x 800 x 1992	850 x 959 x 2150	1.736	2055 x 245 x 830	1965 x 215 x 165	815 x 135 x 855	0.58
FO-REP/SRP81042	42	800 x 1070 x 1992	850 x 1150 x 2150	2.102	2055 x 245 x 830	1965 x 215 x 165	1015 x 135 x 855	0.603
FO-REP/SRP81242	42	800 x 1200 x 1992	850 x 1350 x 2150	2.467	2055 x 245 x 830	1965 x 215 x 165	1215 x 135 x 855	0.626
FO-REP/SRP60648	48	600 x 600 x 2259	650 x 750 x 2350	1.146	2290 x 245 x 630	2225 x 245 x 165	615 x 135 x 985	0.525
FO-REP/SRP60848	48	600 x 800 x 2259	650 x 950 x 2350	1.451	2290 x 245 x 630	2225 x 245 x 165	815 x 135 x 985	0.551
FO-REP/SRP61048	48	600 x 1070 x 2259	650 x 1150 x 2350	1.757	2290 x 245 x 630	2225 x 245 x 165	1015 x 135 x 985	0.578
FO-REP/SRP61248	48	600 x 1200 x 2259	650 x 1350 x 2350	2.062	2290 x 245 x 630	2225 x 245 x 165	1215 x 135 x 985	0.443
FO-REP/SRP80848	48	800 x 800 x 2259	850 x 959 x 2350	1.736	2290 x 245 x 830	2225 x 245 x 165	815 x 135 x 985	0.555
FO-REP/SRP81048	48	800 x 1070 x 2259	850 x 1150 x 2350	2.297	2290 x 245 x 830	2225 x 245 x 165	1015 x 135 x 985	0.69

**Note:**

Package: BU - Build up  
 Package: KD - Knock Down  
 Hardware - 50 sets of cage nuts

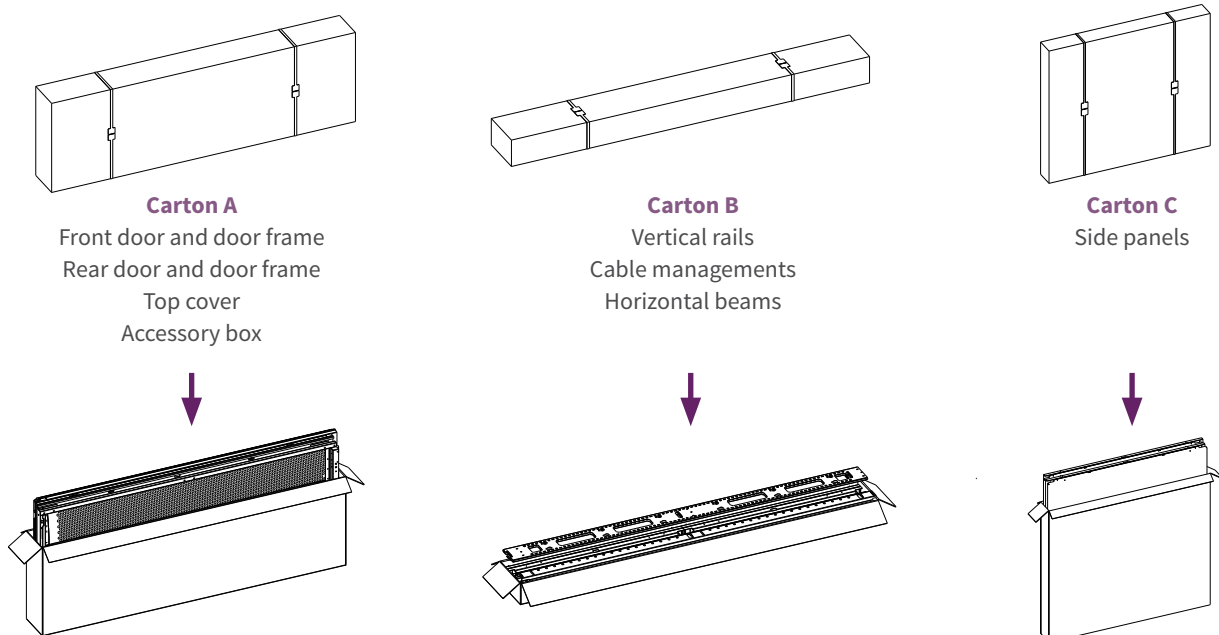
**Color:**

<b>RAL9005</b>	<b>RAL7035</b>

**Material:**

SPCC Cold Rolled Steel.

## » KNOCK-DOWN PACKAGING





## » COMPATIBLE ACCESSORIES FOR SRP STANDING SERVER RACK

SHELF - FIXED SHELF		
	FO-REP/ACC-SRPFSEHLEF-350	Fixed shelf for 600mm depth SRP rack
	FO-REP/ACC-SRPFSEHLEF-550	Fixed shelf for 800mm depth SRP rack
	FO-REP/ACC-SRPFSEHLEF-650	Fixed shelf for 1000mm depth SRP rack
	FO-REP/ACC-SRPFSEHLEF-750	Fixed shelf for 1100mm/1200mm depth SRP rack
SHELF - SLIDING SHELF		
	FO-REP/ACC-SRPSSHELEFSG-350	Sliding shelf for 600mm depth SRP rack
	FO-REP/ACC-SRPSSHELEFSG-550	Sliding shelf for 800mm depth SRP rack
	FO-REP/ACC-SRPSSHELEFSG-650	Sliding shelf for 1000mm depth SRP rack
	FO-REP/ACC-SRPSSHELEFSG-750	Sliding shelf for 1100mm/1200mm depth SRP rack
CABLE MANAGER		
	FO-REP/ACC-CABLEMNVRT24-SRP	Vertical cable manager for 24U 800mm wide SRP rack
	FO-REP/ACC-CABLEMNVRT42-SRP	Vertical cable manager for 42U 800mm wide SRP rack
	FO-REP/ACC-CABLEMNVRT48-SRP	Vertical cable manager for 48U 800mm wide SRP rack
FAN		
	FO-REP/ACC-SRPFANTRAY4	4 Fan tray for SSG 600mm/800mm depth rack
	FO-REP/ACC-SRPFANTRAY6	6 Fan tray for SSG 1000mm/1100mm/1200mm depth rack
BOTTOM PLATE		
	FO-REP/ACC-SRPBTP66	600mm width x 600mm depth SRP rack
	FO-REP/ACC-SRPBTP68	600mm width x 800mm depth SRP rack
	FO-REP/ACC-SRPBTP61	600mm width x 1000mm depth SRP rack
	FO-REP/ACC-SRPBTP88	800mm width x 800mm depth SRP rack
	FO-REP/ACC-SRPBTP81	800mm width x 1000mm depth SRP rack
PLINTH		
	FO-REP/ACC-SRPBASESG-61	600mm width x 1000mm depth SRP rack
	FO-REP/ACC-SRPBASESG-68	600mm width x 800mm depth SRP rack
	FO-REP/ACC-SRPBASESG-88	800mm width x 800mm depth SRP rack
	FO-REP/ACC-SRPBASESG-81	800mm width x 1000mm depth SRP rack