

SRX SERIES STANDING NETWORK CABINET

18U, 22U, 27U, 32U, 37U, 42U, AND
47U SIZES

For rigorous data center environments, Morrell designed and engineered SRX Series as the solution for networking centers.



» FEATURES

Exquisite Design

- Exquisite design with precise dimensions and craftsmanship
- Efficient baying or earthing kit

Welded Steel Frame

Front and back frame are welded

Removable side panel

Removable side panels with latch, easy to install with optional lock

High-density vented front and rear doors

High-density vented front and rear doors with hexagonal holes, can turn over 180 degree

Advanced handle lock

Advanced handle locks for front door and optional lock on the other

» STANDARD COMPLIANCE

Comply with ANS/EIA RS-310, IEC297-2, DIN41491, PART1, PART7, ETSI

» MATERIAL

- SPCC Quality cold rolled steel
- Mounting profile: 2.0mm; other parts: 1.2mm

» SURFACE FINISH

Degreasing, pickling, phosphating, powder coated

Adjustable parts

- Cable entry on top and adjustable cable entry at the bottom with panel
- Casters and feet can be installed simultaneously.
- S-Shaped mounting profile; free to move forward and back

Packing

Unassembled packing available; packing is about 2/5 assembled item. Save container space.

Various optional accessories

- Optional plinth to fix cabinet on floor
- Optional accessories such as fixed shelf, keyboard tray, sliding shelf, light kit, earthing kit, brush for cable entry, plywood pallet or paper pallet

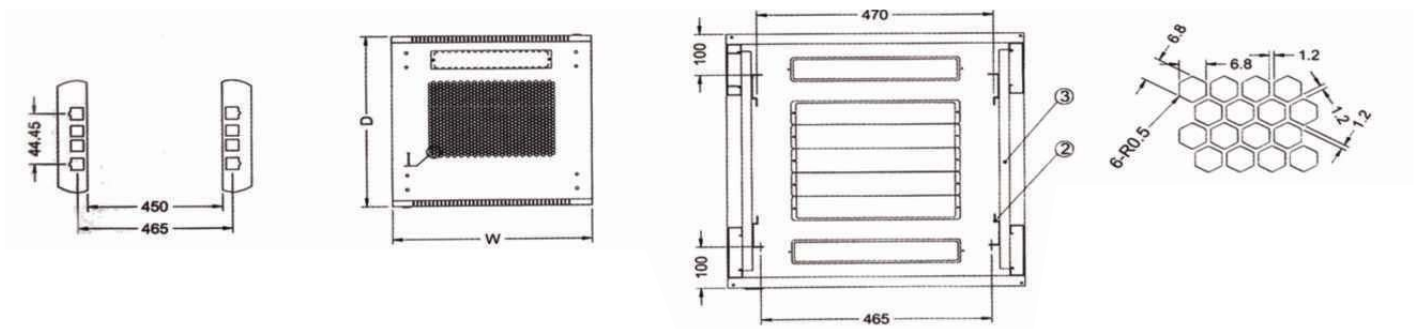
» LOADING CAPACITY

Loading capacity up to 800kg (on the adjustable feet)

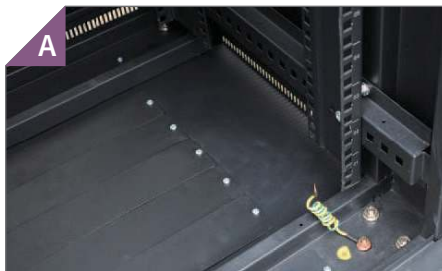
» DEGREE OF PROTECTION

IP20

» MAIN DIMENSIONS (800MM WIDTH)



» MAIN PARTS



Bottom



Mounting Angle

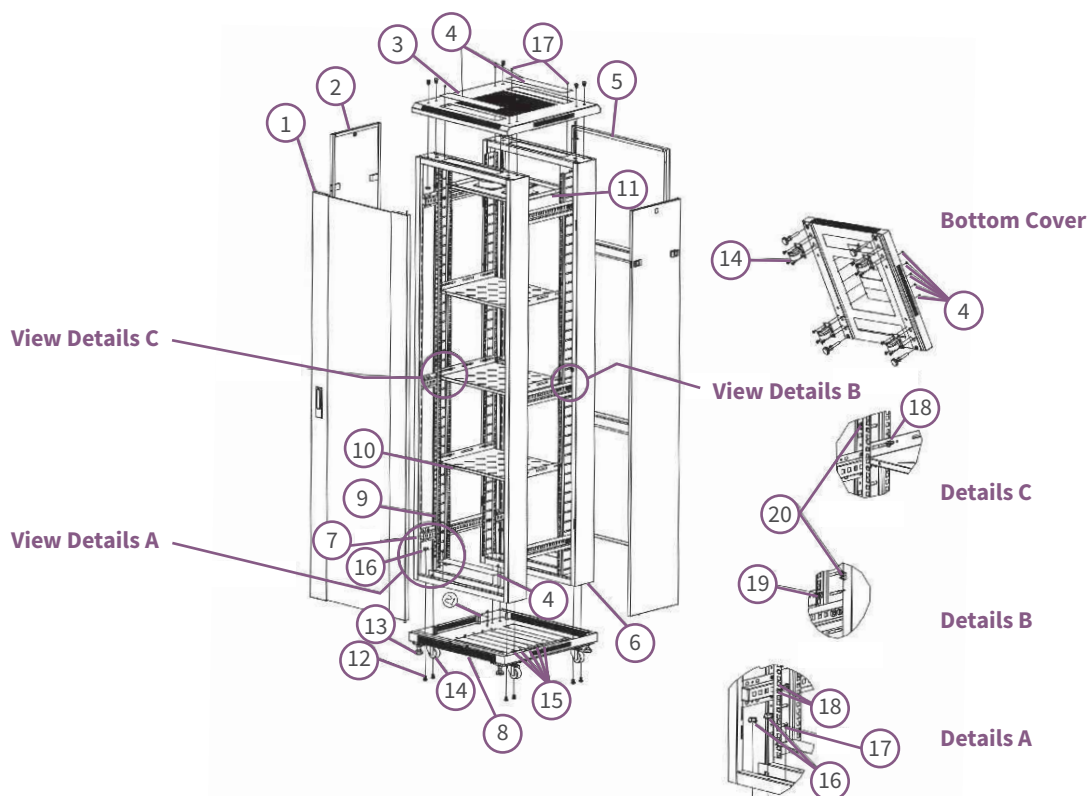


Fan Tray

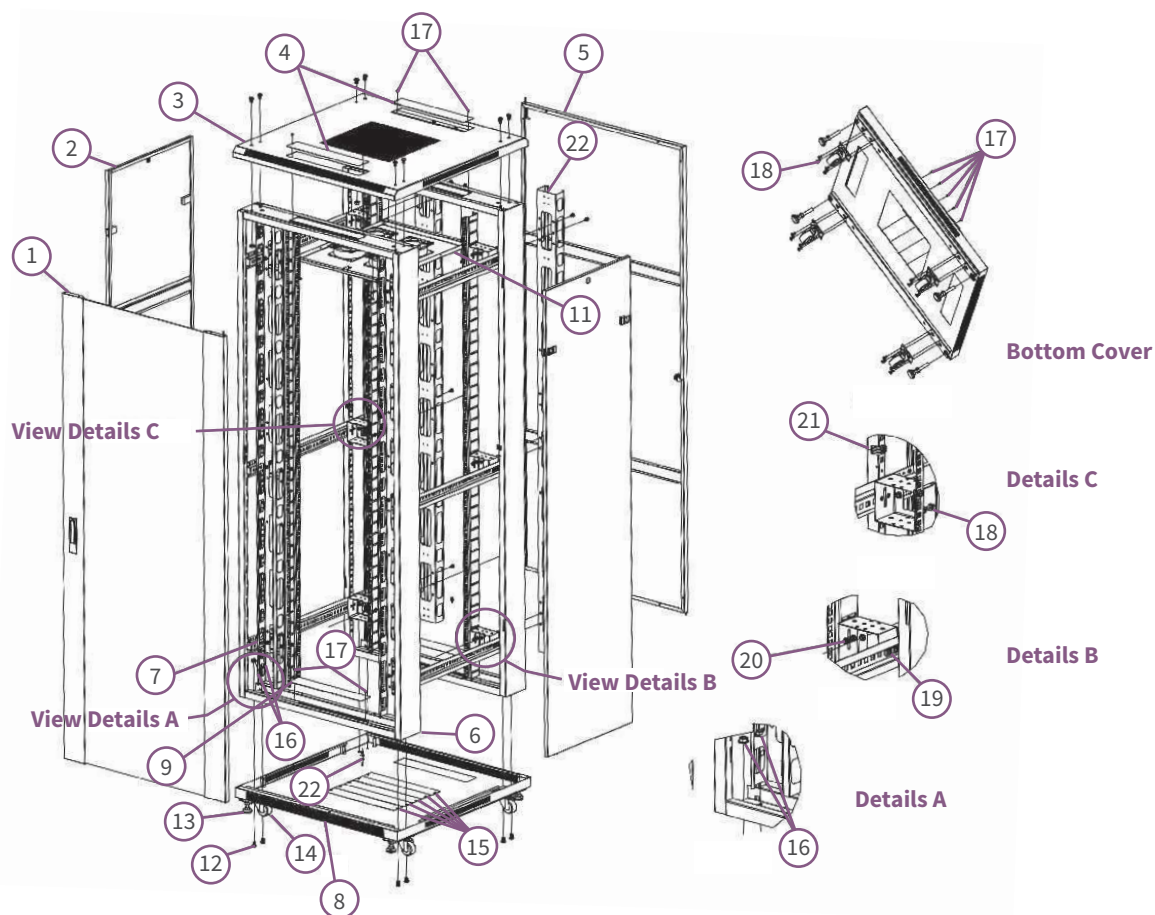


Lock

» MAIN STRUCTURE (800MM WIDTH)



» MAIN STRUCTURE (600MM WIDTH)



» DOOR TYPE :



Toughest glass door



Steel door without holes



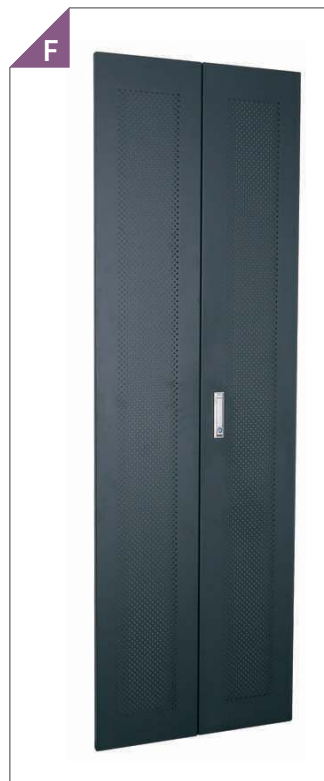
Toughest glass door & vented door border



Vented plate door



Vented plate door



Double-sections vented door



Arc vented door





Strong plate vented door

» MAIN COMPONENTS

No.	Component Name	Quantity	Unit	Material Specification	Surface Finish	Note
1	Top Cover	1	pc	SPCC cold rolled steel T1.2	Powder Coated	--
2	Fan Unit	1	set	SPCC cold rolled steel T1.2	Powder Coated	---
3	Steel Frame	2	pc	SPCC cold rolled steel T1.2	Powder Coated	---
4	Tempered Front Door	1	pc	SPCC cold rolled steel T1.2	Powder Coated	Single Open
5	Steel Rear Door Without Holes	1	pc	SPCC cold rolled steel T1.2	Powder Coated	Single Open
6	Bottom Panel	1	pc	SPCC cold rolled steel T1.2	Powder Coated	
7	Mounting Angle	6	pc	SPCC cold rolled steel T1.2	Powder Coated	4pcs for below 32u
8	Mounting Profile	4	pc	SPCC cold rolled steel T2.0	Powder Coated	---
9	Side Panel	2	pc	SPCC cold rolled steel T1.2	Powder Coated	---
10	Handle Lock for Front Door	1	pc	--	Galvanization	With 2 keys
11	Little Round Lock for Rear Door	1	pc	--	Galvanization	With 2 keys
12	Castor	4	pc	--	--	--
13	M10 Adjustable Feet	4	pc	--	--	---
14	M6 B-Head Screw and M6 Square Nut	20	pc	Steel	Color Zinc Coated	---
15	Allen Wrench	1	pc	Steel	Black	----
16	Spacer (Only for 800mm width)	12	pc	SPCC cold rolled steel T1.2	Powder Coated	Only for 800mm
17	Vertical Cable Manager (Only for 800mm width)	2	pc	SPCC cold rolled steel T0.8	Powder Coated	Only for 800mm

Color of cabinet body:

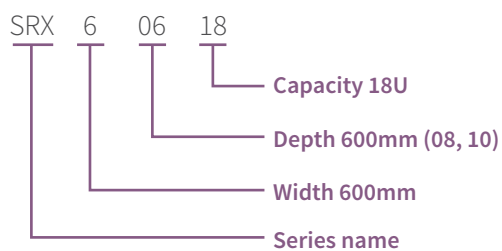
Color Standard	Normal Color		
Standard	 Ral 9004	 Ral 7035	Other color

Optional Accessories:

Fixed shelf, keyboard tray, sliding shelf
 Light kit, earthing kit
 Brush for cable entry
 Plywood pallet or paper pallet

» HOW TO DEFINE OUR MODEL

SRX61248



» MODEL INFORMATION

Model	Capacity (U)	Dimension W x D x H (mm)	KD Packing Dimension			
			Carton A W x D x H (mm)	Carton B W x D x H (mm)	Carton C W x D x H (mm)	Volume (CBM)
FO-REP/SRX60618	18	600 x 600 x 980	620 x 620 x 130	930 x 620 x 250	860 x 530 x 90	0.23
FO-REP/SRX60818	18	600 x 800 x 980	620 x 820 x 130	930 x 620 x 250	860 x 530 x 90	0.25
FO-REP/SRX61018	18	600 x 1000 x 980	620 x 1020 x 130	930 x 620 x 250	860 x 530 x 90	0.26
FO-REP/SRX60622	22	600 x 600 x 1170	620 x 620 x 130	1090 x 620 x 250	1030 x 620 x 90	0.28
FO-REP/SRX60822	22	600 x 800 x 1170	620 x 820 x 130	1090 x 620 x 250	1030 x 620 x 90	0.30
FO-REP/SRX61022	22	600 x 1000 x 1170	620 x 1020 x 130	1090 x 620 x 250	1030 x 620 x 90	0.31
FO-REP/SRX60627	27	600 x 600 x 1380	620 x 620 x 130	1320 x 620 x 250	1250 x 620 x 90	0.32
FO-REP/SRX60827	27	600 x 800 x 1380	620 x 820 x 130	1320 x 620 x 250	1250 x 620 x 90	0.34
FO-REP/SRX61027	27	600 x 1000 x 1380	620 x 1020 x 130	1320 x 620 x 250	1250 x 620 x 90	0.36
FO-REP/SRX60632	32	600 x 600 x 1610	620 x 620 x 130	1600 x 620 x 250	1500 x 620 x 90	0.38
FO-REP/SRX60832	32	600 x 800 x 1610	620 x 820 x 130	1600 x 620 x 250	1500 x 620 x 90	0.40
FO-REP/SRX61032	32	600 x 1000 x 1610	620 x 1020 x 130	1600 x 620 x 250	1500 x 620 x 90	0.41
FO-REP/SRX60637	37	600 x 600 x 1830	620 x 620 x 130	1760 x 620 x 250	1690 x 620 x 90	0.42
FO-REP/SRX60837	37	600 x 800 x 1830	620 x 820 x 130	1760 x 620 x 250	1690 x 620 x 90	0.43
FO-REP/SRX61037	37	600 x 1000 x 1830	620 x 1020 x 130	1760 x 620 x 250	1690 x 620 x 90	0.45
FO-REP/SRX60642	42	600 x 600 x 2070	620 x 620 x 130	1980 x 620 x 250	1920 x 620 x 90	0.46
FO-REP/SRX60842	42	600 x 800 x 2070	620 x 820 x 130	1980 x 620 x 250	1920 x 620 x 90	0.48
FO-REP/SRX61042	42	600 x 1000 x 2070	620 x 1020 x 130	1980 x 620 x 250	1920 x 620 x 90	0.50
FO-REP/SRX60647	47	600 x 600 x 2270	620 x 620 x 130	2210 x 620 x 250	2150 x 730 x 90	0.53
FO-REP/SRX60847	47	600 x 800 x 2270	620 x 820 x 130	2210 x 620 x 250	2150 x 730 x 90	0.55
FO-REP/SRX61047	47	600 x 1000 x 2270	620 x 1020 x 130	2210 x 620 x 250	2150 x 730 x 90	0.57

Note:

Package: KD - Knock Down